

Installation Manual

1、Description:

The equipment is used as a termination point for the feeder cable to connect with drop cable in FTTx communication network system. The fiber splicing, splitting, distribution can be done in this box, and meanwhile it provides solid protection and management for the FTTx network building.

2、Features:

- 1、 Total enclosed structure.
- 2、 Material: PC+ABS, wet-proof、 water-proof、 dust-proof、 anti-aging, protection level up to IP66。
- 3、 Clamping for feeder cable and drop cable, fiber splicing, fixation, storage, distribution...etc all in one.
- 4、 Cable, pigtails, patch cords are running through own path without disturbing each other, cassette type SC adaptor installation, easy maintenance.
- 5、 Distribution panel can be flipped up, feeder cable can be placed in a cup-joint way, easy for maintenance and installation.
- 6、 Cabinet can be installed by the way of wall-mounted or poled-mounted, suitable for both indoor and outdoor uses.

3、Specification:

- 1、 Environmental requirement

Working temperature: $-40^{\circ}\text{C} \sim +85^{\circ}\text{C}$

Relative humidity: $\leq 85\%$ ($+30^{\circ}\text{C}$)

Atmospheric pressure: $70\text{KPa} \sim 106\text{Kpa}$

- 2、 Main technical datasheet

Insertion loss: $\leq 0.2\text{dB}$

UPC return loss: $\geq 50\text{dB}$

APC return loss: $\geq 60\text{dB}$

Life of insertion and extraction: > 1000 times

- 3、 Thunder-proof technical datasheet

The grounding device is isolated with the cabinet, isolation resistance is less than $2 \times 10^4 \text{M}\Omega/500\text{V}$ (DC);

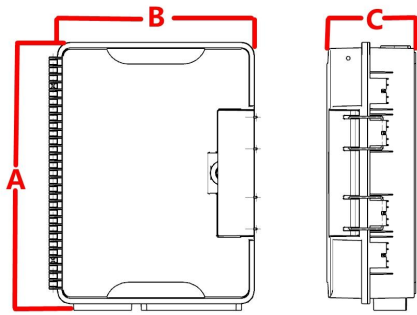
$\text{IR} \geq 2 \times 10^4 \text{M}\Omega/500\text{V}$

The withstand voltage between grounding device and cabinet is no less than 3000V (DC)/min, no puncture, no flashover; $U \geq 3000\text{V}$

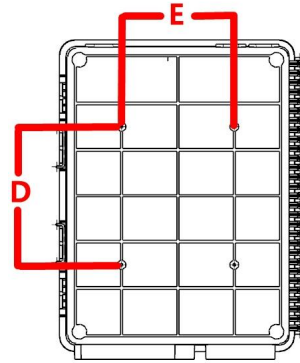
4、Configuration table:

Table 1 Model and configuration

| Model | Description | Size (Pic 1) | Max Capacity | | | Installation Size(Pic 2) | Cable ways |
|---------|-----------------------|----------------|--------------|----|----------------------|--------------------------|------------------------|
| | | A*B*C(mm) | SC | LC | PLC | D*E (mm) | |
| FAT-24B | Fiber Access Terminal | 340*250*110 | 24 | 48 | 1 x 1:16/ 3 x 1:8 | 145*120 | Cuttet/un cutted cable |

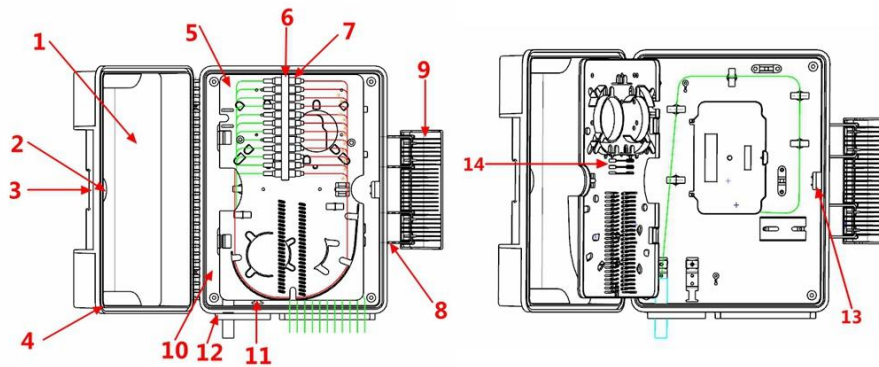


Pic 1 Box Size



Pic 2 Installation Size

5、 Product cable ways:



1.Lid; 2.Lock coat; 3.Lock; 4.Seal gasket; 5.Splicing flap plate; 6.Adaptor holder; 7.Adaptor; 8.Lid lock joint bracket; 9.Lid lock clip; 10.Base; 11. Cable strengthen mound layer; 12. Cable entrance; 13.Lock panel; 14.PLC mounting position

Pic 4 Cable ways

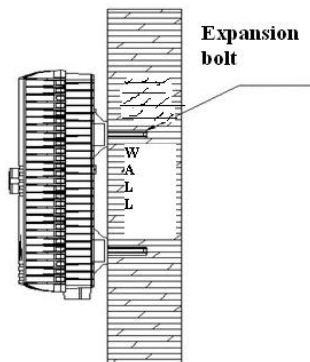
6、 Installation:

1. Wall-mounted installation

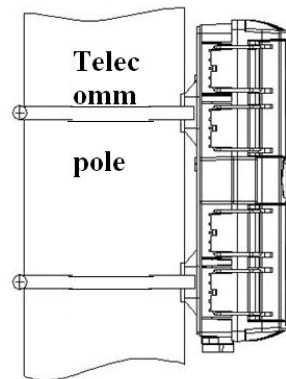
Drill 4 holes over the wall based on the size in table 1, place the expansion bolt $\Phi 7.5 \times 40$, place the box to match up the holes and use bolt to fasten. (Pic 4)

2. Pole-mounted installation

Fix 1 set of the easy pole ring to the telecom pole. (Pic 5)



Pic 5 Wall mounted installation



Pic 5 Pole ring installation