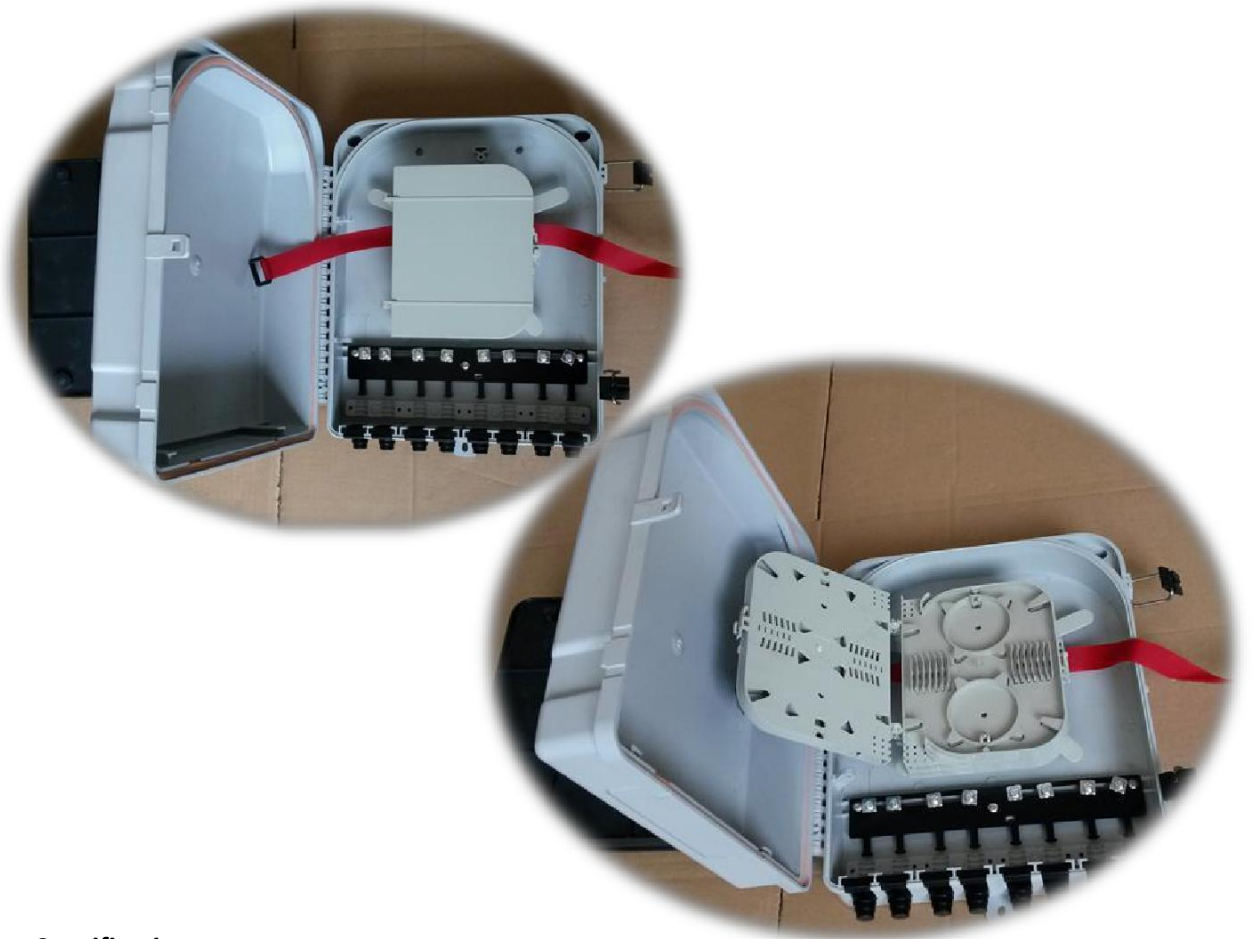


FAT-8B

Outdoor FTTx Distribution Box

• Applications

- Applicable for the FTTx project and provide mechanical protection for fiber management system that includes the functions of splicing, patching and passive component integration.



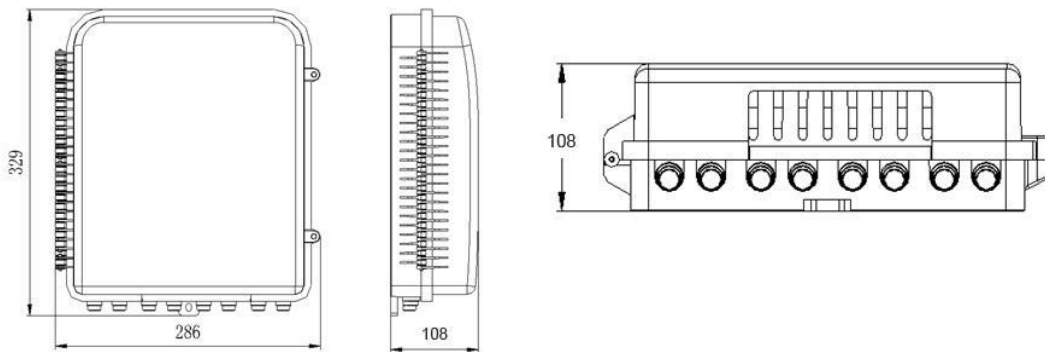
• Specifications

Part No.	FAT-8B
Dimensions (mm)	329×286×108
Entry ports and cable dia. (max.)	8×φ15mm
Splice capacity each tray	12/24 FO
Max. number of splice tray	6
Splice capacity of the box	72/144 FO
Possible for PLC splitter	1x32, 1×16 micro splitter
Mounted way	Wall-mounted or pole-mounted

• Performance

Part No.	FAT-8B
Material of box	Plastic
Material of tray	Plastic
Temperature range	-40 °C to +70 °C.
Life expectancy	20years
Seal material of the box	EPDM
Seal material of the ports	Rubber
Protection rating	IP54

• Dimensions



• Wall-mounting kits (Standard configuration)



• Pole-mounting kits (Optional)



Plastic cross arm: 2pcs



Metal clamp: 2pcs