

Horizontal Fiber Optic Splice Closure(FOSC)



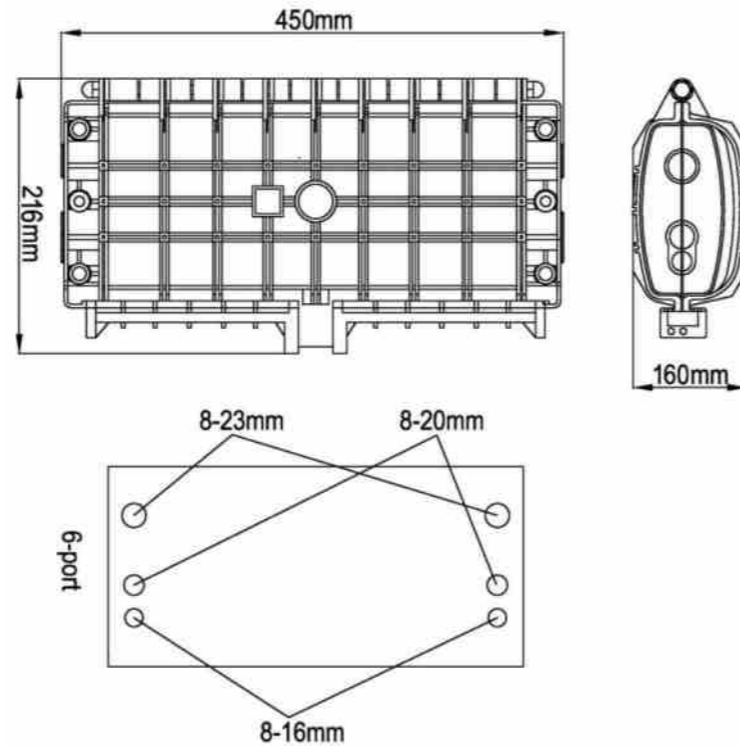
Features

- The closure adopts horizontal mechanical sealing and advanced internal structure design.
- To adopt engineering PC plastic with high-strength to make the closure has longer life time and excellent sealing performance.
- The closure is spacious enough for winding and storing fibers.
- The patented sealing structure keep good sealing performance after re-entry and re-using.
- It works for mid--span and branching.
- It could save the installation time and improve work efficiently.

Applications

- ◆ Suitable for bunchy & ribbon fibers
- ◆ Aerial, underground, wall-mounting, hand hole-mounting pole-mounting and duct-mounting

Structural Drawing



GJS-H005

Horizontal Fiber Optic Splice Closure(FOSC)

Ordering Information

Optical Splice Trays



#020
160X108X11mm



#024
150X105X9mm



#017
105X105X9.5mm

Type	Fibers/Tray	Max. Capacity	Tray#	Suitable Cable Dia. allowed(mm)
GJS-H005 I(Bunchy)	12-24F	96F	020	2 round ports:16mm 2 round ports:20mm 2 round ports:23mm
GJS-H005 II(Bunchy)	12-24F	192F	024	
GJS-H005 III(Ribbon)	36F	432F	017	

Accessories

Standard Accessories:

No.	Name	Quantity	
1	Seal tape	1 roll	
2	Insulation tape	1 roll	
3	Abrasive cloth	1 pc	
4	Earthing wire	1pc	
5	Nylon tie	1 set	
6	Labeling paper	1 pc	

No.	Name	Quantity	
7	Desiccant	2 bags	
8	measuring paper	1 pc	
9	Special wrench	1 pc	
10	Hexagon wrench	2 pcs	
11	Hanging hook	1 set	
12	Heat shrinkable protective sleeve	1 bag	

Optional Accessories:

No.	Name	Quantity	
1	Pressure testing valve	1 pc	
2	Earthing deriving device	1 pc	
3	Buffer tube for bunchy fiber	1 roll	

No.	Name	Quantity	
4	Buffer tube for ribbon fiber	1 roll	
5	Wall mounting bracket	1 set	