

Dome Heat shrinkable Seal Fiber Optic Splice Closure(FOSC)

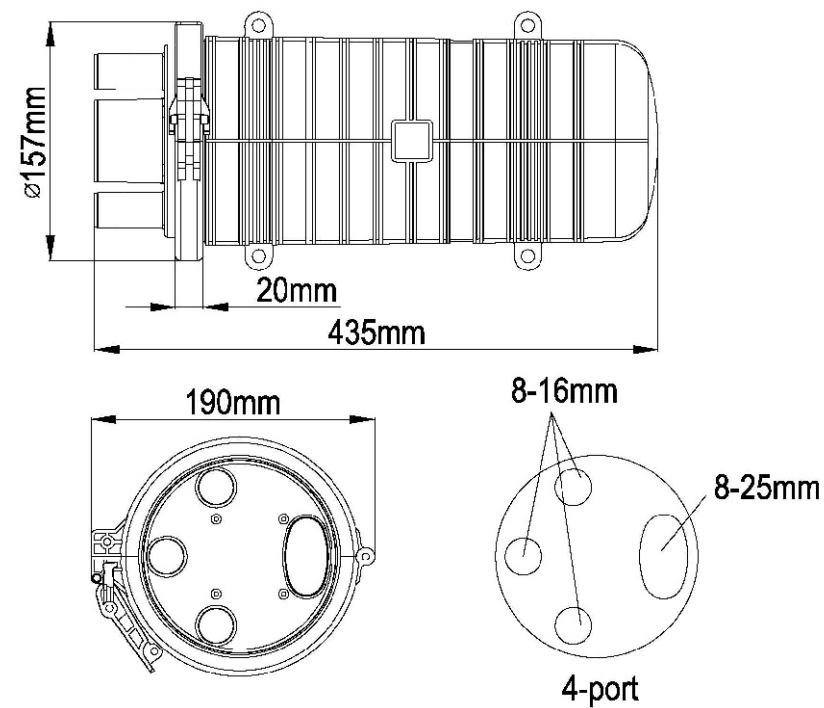
Features

- The closure adopts heat shrinkable sealing structure. There is one big oval shaped inlet/outlet port in base. The big oval shaped port is used for the sealing of uncut straight-through fiber cable, the small ports are used for branch fiber cable and drop cable.
- It adopts engineering PC plastic with high-strength to make the closure has longer life time and excellent sealing performance.
- The patented sealing structure keep good sealing performance after re-entry and re-using.
- The bending radius of FOSTs meet the international standard.
- It could save the installation time and improve work efficiently.

Applications

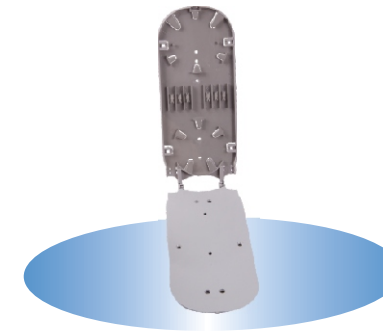
- ◆ Suitable for bunchy fibers
- ◆ Aerial, underground, wall-mounting, hand hole-mounting, pole-mounting and duct-mounting

Structural Drawing

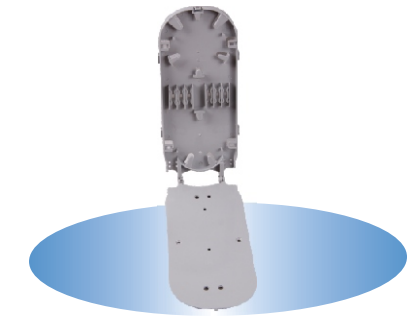


Ordering Information

Optical Splice Trays



#031
234X96X7.5mm



#032
234X100X11mm

Type	Fibers/Tray	Max. Capacity	Tray#	Suitable Cable Dia. allowed(mm)
GJS-D7001 I(Bunchy)	12F	72F	031	1 big oval port:25mm 3 small round ports:16mm
GJS-D7001 II(Bunchy)	12-24F	96F	032	

Accessories

Standard Accessories:

No.	Name	Quantity	
1	Earthing wire	1 pc	
2	Nylon tie	1 set	
3	Labeling paper	1 pc	
4	Heat shrinkable protective sleeve	1 bag	
5	Insulation tape	1 roll	

No.	Name	Quantity	
6	Desiccant	2 bags	
7	Special wrench	1 pc	
8	Aluminum-foil paper	1 pc	
9	Abrasive cloth	1 pc	

Optional Accessories:

No.	Name	Quantity	
1	Pressure testing valve	1 pc	
2	Earthing deriving device	1 pc	
3	Buffer tube for bunchy fiber	1 roll	
4	Big heat shrinkable fixing sleeve	1 pc	
5	Small heat shrinkable fixing sleeve	3pcs	
6	Branchingclip	1 pc	

No.	Name	Quantity	
7	Wall mounting bracket	1 set	
8	Pole mounting bracket	1 set	
9	Metal hoop	1 set	
10	Wall mounting bracket	1 set	
11	Aerial mounting bracket	1 set	