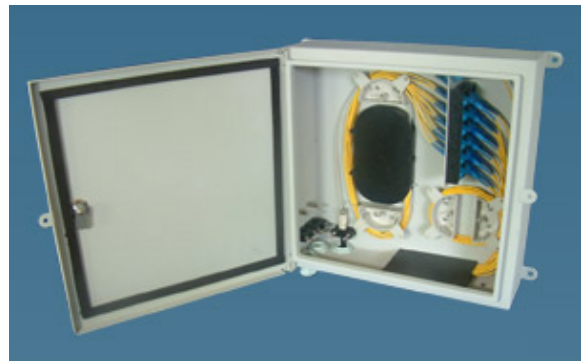


## OUTDOOR WALL MOUNT FTTX BOXES

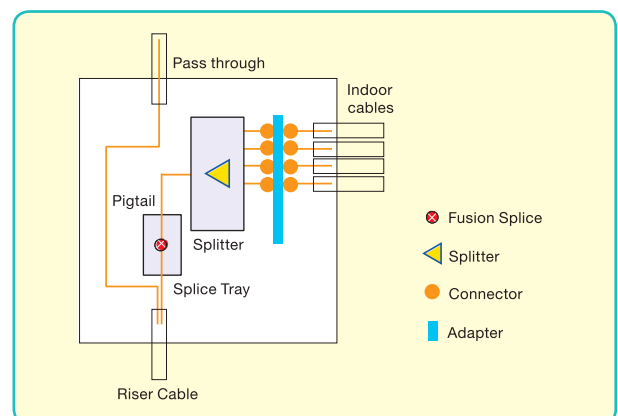
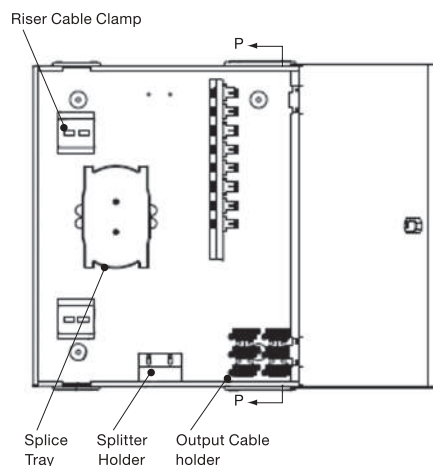
### Description

The outdoor wall/pole mount FTTX boxes are environmentally sealed enclosures for splitting and redistributing optical power from feeder fibers to distribution fibers for FTTX networks. They are also designed for fiber splicing, termination, and management.

Additional splice trays can be stacked on top to increase capacity. Each splice tray can install up to 24 single fiber splice protection sleeves (with diameter of 2.3mm) or 6 ribbon splice protection sleeves. Splice trays can be opened individually and removed from the box. Excess length of cables/pigtails is stored in reels on the front panel.



### Dimensional Drawing



### Features

- Wall mountable
- Front door access
- Keyway entry
- Provides fiber splicing, splitting and termination in one unit
- Made from galvanized steel sheet
- Fiber bend radius control
- High density
- Low cost

### Applications

- FTTX deployments
- For building entrance terminals
- Cross-connects
- Telephone closets
- For pre-connectorized cables
- Field installation of connectors
- Splicing of pigtails

## Specifications

Box Type	Dimensions (W*D*H)mm	Capacity FC/SC adapters	Capacity LC adapters
<b>ODF-SWB</b>	240*380*90	12	24
	420*425*100	24	48
	420*425*100	48	72
	500*425*200	72	96
	520*425*220	96	192

## Ordering Information

Part Number: **ODF-SWB SC R 24**

Product Type	SWB	FTTX Wall mount fiber splice and termination box
	ST	Splice tray
Adapter Type	FC	FC/PC
	FA	FC/APC
	SC	SC/PC simplex
	SC2	SC/PC duplex
	SA	SC/APC simplex
	SA2	SC/APC duplex
	ST	ST/PC
	LC	LC/PC simplex
	LC2	LC/PC duplex
Adapter Grade	R	Single mode (SM)
	K	Multimode (MM)
Number of Ports	12	Single fiber, 12 ports, loaded with adapters, and 1 splice tray
	24	Single fiber, 24 ports, loaded with adapters, and 1 splice trays
	36	Single fiber, 36 ports, loaded with adapters, and 2 splice trays
	48	Single fiber, 48 ports, loaded with adapters, and 2 splice trays
	72	Single fiber, 72 ports, loaded with adapters, and 3 splice trays
	96	Single fiber, 96 ports, loaded with adapters, and 4 splice trays
	144	Single fiber, 144 ports, loaded with adapters, and 6 splice trays

Note : PLC splitters have to be ordered separately.

### Part Number Examples

Part Number	Description
ODF-SWBFCR12	Outdoor FTTX box, wall mount, 12 SM FC adapters loaded, for single fiber splicing.
ODF-SWBSA2R24	Outdoor FTTX box, wall mount, 12 SM SC/APC duplex adapters loaded, for single fiber splicing.
ODF-SWBLC2R48	Outdoor FTTX box, wall mount, 24 SM LC duplex adapters loaded, for single fiber splicing.