

Horizontal Fiber Optic Splice Closure(FOSC)



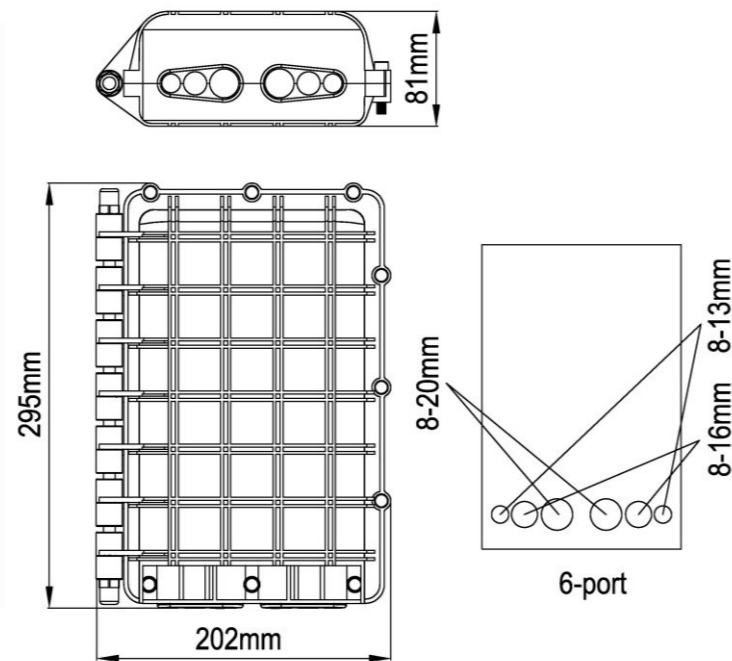
Features

- The closure adopts horizontal mechanical sealing and advanced internal structure design.
- To adopt engineering PC plastic with high-strength to make the closure has longer life time and excellent sealing performance.
- The closure is spacious enough for winding and storing fibers.
- The patented sealing structure keep good sealing performance after re-entry and re-using.
- It works for mid--span and branching.
- It could save the installation time and improve work efficiently.

Applications

- ◆ Suitable for bunchy fibers
- ◆ Aerial, underground, wall-mounting, hand hole-mounting pole-mounting and duct-mounting

Structural Drawing

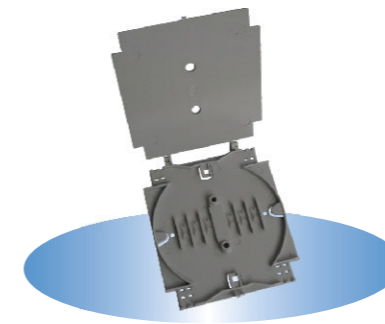


GJS-H002

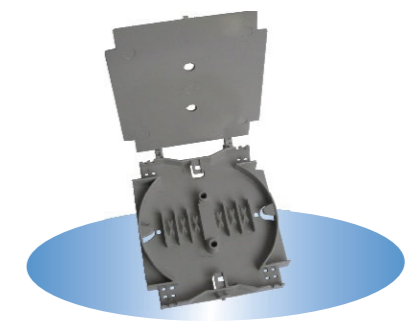
Horizontal Fiber Optic Splice Closure(FOSC)

Ordering Information

Optical Splice Trays



#035
123X110X6.5mm



#034
123X110X11mm

Type	Fibers/Tray	Max. Capacity	Tray#	Suitable Cable Dia. allowed(mm)
GJS-H002 I(Bunchy)	12F	96F	035	2 round ports:13mm 2 round ports:16mm 2 round ports:20mm
GJS-H002 II(Bunchy)	12-24F	96F	034	

Accessories

Standard Accessories:

No.	Name	Quantity	
1	Seal tape	1 roll	
2	Insulation tape	1 roll	
3	Abrasive cloth	1 pc	
4	Earthing wire	1 pc	
5	Nylon tie	1 bag	
6	Hanging hook	1 set	

No.	Name	Quantity	
7	Labeling paper	1 pc	
8	Measuring paper	1 pc	
9	Desiccant	2 bags	
10	Special wrench	1 pc	
11	Heat shrinkable protective sleeve	1 bag	

Optional Accessories:

No.	Name	Quantity	
1	Pressure testing valve	1 pc	
2	Earthing deriving device	1 pc	
3	Buffer tube for bunchy fiber	1 roll	

No.	Name	Quantity	
4	Pole mounting bracket	1 set	
5	Wall mounting bracket	1 set	

Horizontal Fiber Optic Splice Closure(FOSC)



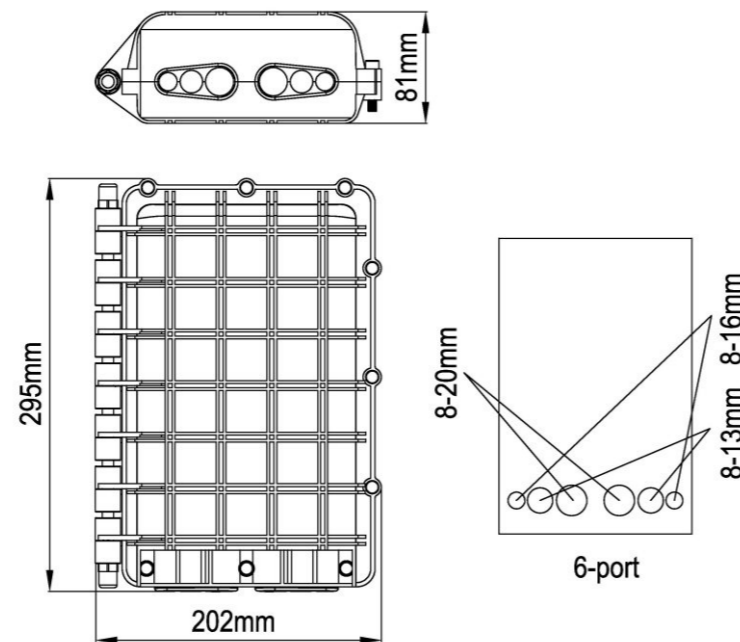
Features

- The closure adopts horizontal mechanical sealing and advanced internal structure design.
- To adopt engineering PC plastic with high-strength to make the closure has longer life time and excellent sealing performance.
- The closure is spacious enough for winding and storing fibers.
- The patented sealing structure keep good sealing performance after re-entry and re-using.
- It is multi-functions, with different PLC splitter and adaptor panels, it could work for branch splicing, splitting and patching.
- It could save the installation time and improve work efficiently.

Applications

- ◆ Suitable for bunchy fibers
- ◆ Aerial, underground, wall-mounting, hand hole-mounting and duct-mounting
- ◆ It's especially applicable to FTTH optical fiber distribution

Structural Drawing

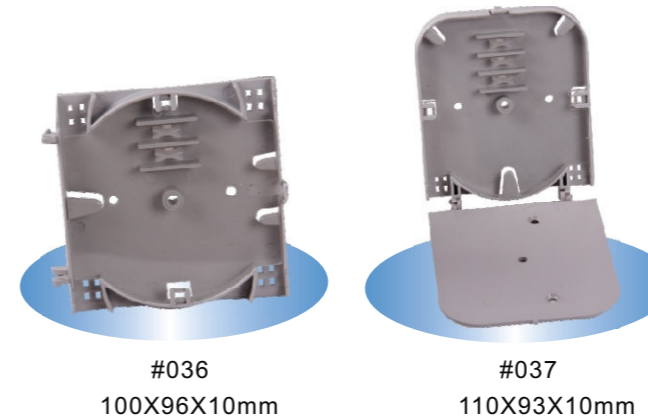


GJS-H002-P

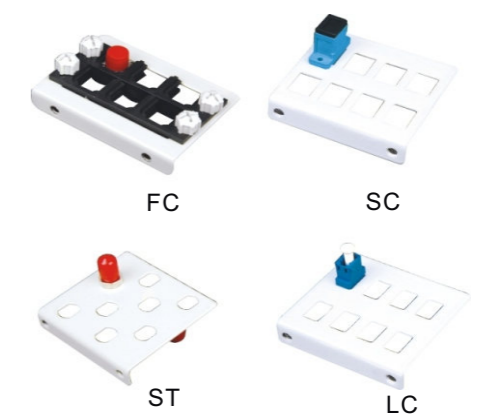
Horizontal Fiber Optic Splice Closure(FOSC)

Ordering Information

Optical Splice Trays



Adaptor panel



Type	Fibers/Tray	Max. Capacity	Tray#	Adaptor and No. of panel	Suitable Cable Dia. allowed(mm)
GJS-H002-P	4-8F	32F 6 pcs adaptors	036	3pcs FC adaptors/panel, 1-2pcs of adaptor panel 8pcs SC adaptors/panel, 1pc of adaptor panel	2 round ports: 13mm 2 round ports: 16mm 2 round ports: 20mm
	6-12F	48F 8 pcs adaptors	037	8pcs ST adaptors/panel, 1pc of adaptor panel 8pcs LC adaptors/panel, 1pc of adaptor panel	

Accessories

Standard Accessories:

No.	Name	Quantity	
1	Seal tape	1 roll	
2	Insulation tape	1 roll	
3	Abrasive cloth	1 pc	
4	Earthing wire	1 pc	
5	Nylon tie	1 bag	
6	Hanging hook	1 set	

No.	Name	Quantity	
7	Labeling paper	1 pc	
8	Measuring paper	1 pc	
9	Desiccant	2 bags	
10	Special wrench	1 pc	
11	Heat shrinkable protective sleeve	1 bag	

Optional Accessories:

No.	Name	Quantity	
1	Pressure testing valve	1 pc	
2	Earthing deriving device	1 pc	
3	Buffer tube for bunchy fiber	1 roll	
4	Adaptor	-	

No.	Name	Quantity	
5	Pole mounting bracket	1 set	
6	Wall mounting bracket	1 set	
7	Pigtail	-	